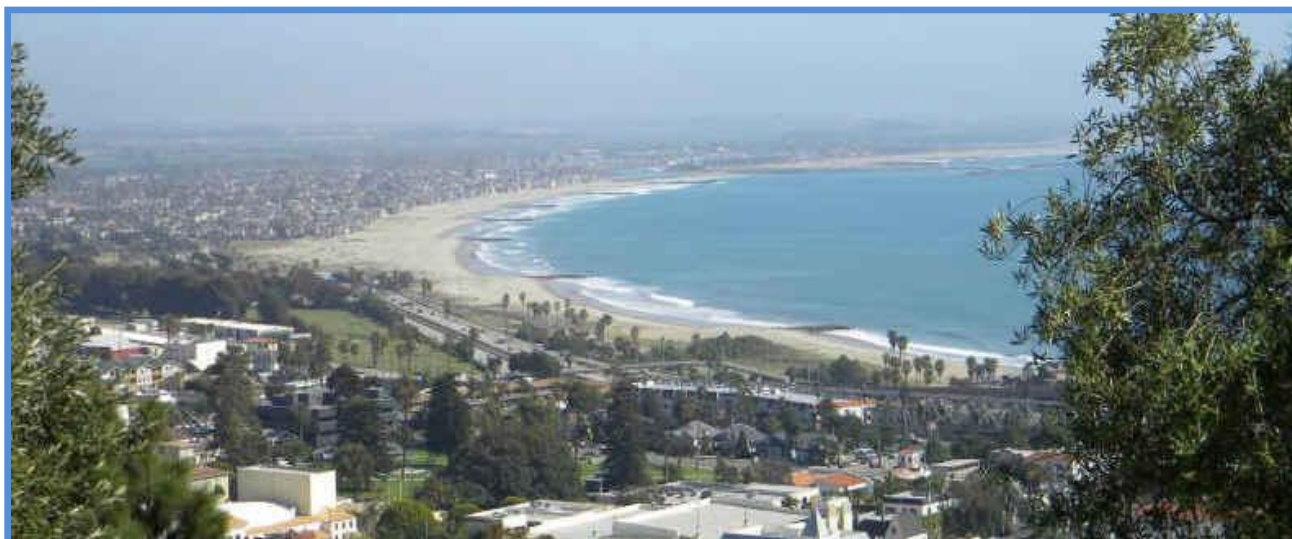




IEEE BUENAVENTURA SECTION

MARCH 2014 NEWSLETTER



SECTION SPONSORS



Ciao Wireless, Inc.

VITESSE[®] Making Next-Generation Networks a Reality.



Find more about us online!!

Main Site - ieee-bv.org

Computer - ieee-bv-cs.org aka computer.ieee-bv.org

EMBS - ieee-bv-embs.org aka embs.ieee-bv.org

Communications - comsoc.ieee-bv.org

Join Our **Facebook Page!** - facebook.com/IEEEofVenturaCounty

EVENTS HIGHLIGHTS!

<p>Tuesday 18 March 6:00PM</p>	<p>EMC</p>	<p style="text-align: center;">EMC Filter Selection and Design Speaker: Heberly Ahatlan of Wurth Elektroniks Location: Advanced Motion Controls, 3805 Calle Tecate, Camarillo, CA 93012. Please enter at rear of Building</p>
<p>Wednesday 19 March 6:30PM</p>	<p>RAS/IAS</p>	<p style="text-align: center;">Future Technology Evolution - Robotics and Beyond Speaker: Nathalie Gosset, EE, MS, MBA Time: 6:30 pm pizza meet & greet; 7:00 pm Talk Location: Rm 100, Ahmanson Science Center Aud. CLU campus, 60 Olsen Road, T.O., CA RSVP: Doug Askegard at dougaskegard@ieee.org</p>
<p>Thursday 27 March 6:30 PM</p>	<p>MTTS</p>	<p style="text-align: center;">RF MEMS: Status of the Technology for Reconfigurable 4G Systems Speaker: Dr. Gabriel M. Rebeiz Distinguished Professor, Wireless Comm Industry Chair, UCSD Time: 6:30 PM Pizza & networking, 7:00 PM Presentation Location: Skyworks Conference Room, Newbury Park, CA 91320</p>
<p>Wed 26 March 7 PM</p>	<p>EMBS</p>	<p style="text-align: center;">Information Security and Patient Privacy in the Biopharma Industry Speaker: Spencer Mott, Vice President Information Systems and Chief Information, Security Officer, Amgen Meeting Site: California Lutheran University, 100 Ahmanson Science Building, 60 West Olson Road, Thousand Oaks Meetings are free, open to the public Dinner: Available at 6 p.m. for \$10 payable at the door, no RSVP needed.</p>
<p>Monday 24 March 6:30 PM</p>	<p>OpCom</p>	<p style="text-align: center;">Operating Committee Meeting 6:30 pm China Buffet, Thousand Oaks</p>

Membership News

Hi Everyone!

Please join me in welcoming our latest members to the IEEE:

- ✚ Iradj Shahriary
- ✚ John Maxwell
- ✚ Michael Lavery
- ✚ Sami Alharthi
- ✚ Sandra Suttiratana
- ✚ Sarah Suttiratana
- ✚ Sultan Alenezi
- ✚ Zoe Hay



Members: please be sure to update and share your information at the IEEE Member Portal and set up your IEEE email alias. Please also introduce yourselves at meetings; networking starts here in the IEEE.

**--- Bridge Carney
IEEE Buenaventura Section Chair 2014**

Section News

Computer Society

The Computer Society Chapter is seeking new volunteers for officers and presentations. Please contact Craig Reinhart, CS Chapter Chair to volunteer or to speak at an upcoming meeting.

**-- Craig Reinhart
CS Chair
craig@ieee-bv-cs.org**

IEEE Buenaventura celebrates it 50th year anniversary at our annual 'Thank You' Banquet.

We have over 45 members and guest join in the socializing and buffet dinner at Los Robles on January 17 at the Los Robles Greens Golf Course. This year's dinner was highlighted by celebrating the 50th Anniversary of the IEEE in Ventura County. It was great to have such a large turn out. The food and service by the Greens' staff was outstanding.

Certificates of thanks were awarded to our volunteers Officers for 2013. Without their work our special events and monthly meetings would not happen. Our thanks from all of us to all of them!

Doug Askegard presented the IEEE Region 6 Southern Area Outstanding Engineer Manager Award for 2014 plaque to Iradj Shahriary. Two special plaques were presented on behalf of the Buenaventura IEEE. The first was to Christian Ziegler, our Membership/Awards Chair his hundreds of volunteer hours in putting together the Senior Elevation event, updating our email distribution lists...and also documenting the steps he did throughout the year so that others can follow! The second plaque went to a special IEEE member, Michael Sterling, for his work to put to engage for us Jonathan Erland, who was the centerpiece of our Fall Event 'Making Technology that makes the Movies'.

My sincere thanks to all for your work and efforts in 2013....and now *onward to 2014!*

- Bridge Carney, IEEE-BV Chair 2013/2014



The IEEE Is Pleased to Present this Award to

Iradj Shahriary

*In Recognition and Appreciation of
Your Valued Services and Contributions*

**Region 6 Southern Area
Outstanding Engineering Manager Award
For 2014**

For the vision to develop a team of individuals able to design and execute in the production of highly complex satellite payloads, thereby becoming a trusted vendor in the national and international space marketplace.

Left – Wording of plaque to Iradj Shahriary

Right - Dinner and presentation

Lower left - Christian Ziegler (left) gets a plaque for his work in 2013

Lower Right - Michael Sterling (right) receives a plaque with our gratitude with his work on the Fall 2013 Special Event.

Photos: Jerry Knotts



JOB OPPORTUNITIES



Contact Pat Jacobs -- 805-579-0630
pat.jacobs@advancedpersonnelprofiles.com

✚ **Software Manager, Alfred Mann Foundation (www.aemf.org), Valencia**

10 years experience with management. Prefer medical device or regulated industry.

✚ **Quality Engineer at Second Sight, Sylmar**

Two position for experienced Quality Engineers with medical device experience. One position focused on **quality systems** and the other is for a **Principal Engineer**.

✚ **Field Clinical, Clinical Research Associate & Clinical Project Manager**

Job openings at Alfred Mann Foundation and Second Sight. Must have device experience.

✚ **Product Managers, Bioness (www.bioness.com), Valencia**

Two product manager positions, one focused on technology and the other strategy. Travel is required and must be experienced with medical devices.

Contact Pat Jacobs -- 805-579-0630 pat.jacobs@advancedpersonnelprofiles.com



Looking for Academic, Scientific, or Engineering Talent?

Advertise with the IEEE Buena Ventura Section Placement ads are \$25/month and appear in both newsletter and online. Sponsorships available for website and Section. Contact newsletter@ieee-bv.org or see our [Ad Placement information](#) to advertise or sponsor the Section.

The
Buenaventura EMC Society
is pleased to present
EMC Filter Selection and Design
By Heberly Ahatlan of Wurth Elektronik

Heberly Ahatlan will introduce you to the world of EMC and will share his experience on how to fix conductive and radiated noise issues using filters and ferrites.

His approach is well suited for both beginner engineers and veterans of the industry who want to reduce time debugging boards and get products to market on time.

Heberly Ahatlan has 9 years of experience in both analog semiconductor IC design and in digital systems product development. He has experience solving a wide variety of EMI and EMC issues for consumer and industrial products. Most recently, he is the field applications engineer for the USA west coast, Mexico and French speaking Canada regions at Wurth Elektronik.

Questions? Please forward them to mnicholls@a-mc.com.

Date & Time **March 18 2014 6:00PM**

Location: Advanced Motion Controls
3805 Calle Tecate, Camarillo, CA 93012

Please enter at rear of Building.

See you all there!



Buenaventura RAS/IAS Chapter

Future Technology Evolution - Robotics and Beyond

Speaker: Nathalie Gosset, EE, MS, MBA
Date: Wednesday, March 19, 2014
Time: 6:30 pm pizza meet & greet; 7:00 pm Talk
Location: Rm 100, Ahmanson Science Center Aud.
CLU campus, 60 Olsen Road, T.O., CA

RSVP: Doug Askegard at dougaskegard@ieee.org

Technology keeps evolving at warp speed changing the way we work and think. In this continuously shifting landscape, professional relevance requires keeping an eye on what the future is bringing and understanding ourselves with the potential of new technologies.



Nathalie Gosset is a sought after keynote speaker on matters related to the Future and the evolution of technology. She is frequently invited by companies, universities, and state agencies to present her insights when they need to develop competitive edges to product rollouts, educational programs, or workforce development. Ms. Gosset believes that each person is responsible for maintaining their own professional relevance and provides multiple approaches to keep a fresh career profile.

Nathalie Gosset, EE, MS, MBA is Sr. Director, Marketing and Technology Innovation Evaluation at the Alfred Mann Institute (AMI). At AMI she is responsible for investigating the commercial value of each innovation presented to the institute. Ms. Gosset has over 24 years of experience in the development and commercialization of technology-based products. Ms. Gosset has weaved engineering, marketing, and business throughout her professional life. Prior to AMI, she was the Vice President of Engineering at Sabeus and Director of Engineering at Novera. She worked for large companies (Alcatel and ADC Telecommunications) where at Alcatel, after ten years in optical design engineering, she became Director of the Program Management Office overseeing the activities of about 600 engineers. She has received several prestigious IEEE awards for her volunteer work for the technical and biomedical global community: the Buenaventura Section), 2007: Career Service award for creating more than 50 chapters worldwide to stimulate innovation between physicians & engineers, 2005 IEEE-RAB Leadership award for her contributions to the biomedical community, 2005: Outstanding IEEE-EMBS Chapter Award, a global recognition. Ms. Nathalie Gosset is a member of several medical advisory and director boards. She frequently sits on biomedical innovation review teams. Nathalie holds a BSEE from ISEP (Paris, France); MS in Telecommunications(Boulder, CO); MBA (University of St. Thomas, St. Paul, MN).



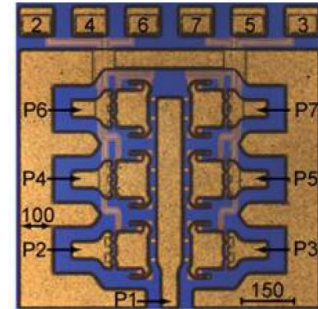


MICROWAVE THEORY AND TECHNIQUES SOCIETY,
COMMUNICATIONS SOCIETY, &
LIFE MEMBER AFFINITY GROUP
BUENA VENTURA SECTION



Date/ Time: Thursday March 27th, 2014
6:30 PM Pizza & networking
7:00 PM Presentation
Location: Skyworks Conference Room
Newbury Park, CA 91320

Speaker: Dr. Gabriel M. Rebeiz
Distinguished Professor
Wireless Comm Industry Chair
University of California, San Diego



SP6T
RF MEMS
Switch

Title: RF MEMS: Status of the Technology for Reconfigurable 4G Systems

Abstract:

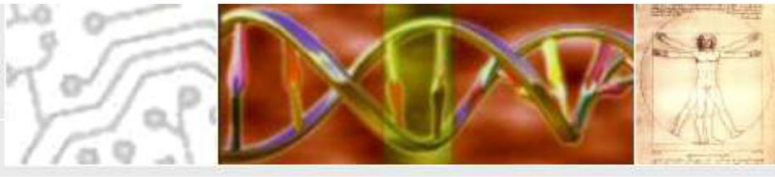
This talk will present the latest development in RF MEMS for reconfigurable 4G systems. In particular, he will present low-loss ohmic switches capable of SPNT (N=4-8) performance with very low insertion loss and high isolation up to 6 GHz, and tunable pF-level RF MEMS capacitors with a capacitance ratio of 5-6 and a $Q > 100$ at 2 GHz. The RF MEMS capacitors have been used in low loss and high-linearity 1.6-2.5 GHz tunable filters, high-power handling phase shifters at 1.7-2.3 GHz (for LTE base-station applications), and tunable dual-frequency antennas for carrier aggregation. A lot of work was also done on the reliability of RF MEMS devices, and new results show extended reliability of 100-1000 Million cycles under 100-1000 mW power conditions. The talk will conclude on the use of RF MEMS in reconfigurable 4G systems.

Prof. Gabriel Rebeiz received his Ph.D. at California Institute of Technology. He is an IEEE Fellow, an NSF Presidential Young Investigator, an URSI Koga Gold Medal Recipient, IEEE MTT 2003 Distinguished Young Engineer, and the recipient of the IEEE MTT 2000 Microwave Prize and the IEEE MTT 2010 Distinguished Educator Award. He is also the recipient of the 1998 Amoco Teaching Award given to the best undergraduate teacher at UM, and the 2008 Teacher of the Year Award UCSD. His research is in mm-wave RFIC, microwave circuits, RF MEMS, planar mm-wave antennas and terahertz systems. He is the Director of the UCSD/DARPA Center on RF MEMS Reliability and Design Fundamentals. rebeiz@ece.ucsd.edu

Skyworks, Intersection of West Hillcrest Drive and Lawrence Drive, Newbury Park, CA 91320 (not the main building, please use link below to green arrow that pinpoints building) <http://maps.google.com/maps?q=34.187542,-118.930994&num=1&t=h&vpsrc=0&ie=UTF8&z=18&iwloc=A>

RSVP Requested: https://meetings.vtools.ieee.org/meeting_view/list_meeting/24229

THE INSTITUTE OF ELECTRICAL AND ELECTRONICS ENGINEERS, INC.



Information Security and Patient Privacy in the Biopharma Industry

Spencer Mott, Vice President Information Systems and Chief Information Security Officer, Amgen

Wednesday, March 26 2014 7 PM - CLU - Ahmanson Science Building

Jointly sponsored by IEEE Engineering in Medicine and Biology Society and the Computer Society, please join us for a stimulating presentation on information security, patient privacy, and the Biopharma industry.

Spencer Mott is Amgen's Chief Information Security Officer and Vice President, Information Systems. Prior to Amgen, Spencer spent six years at Electronic Arts, fifteen years in the Metropolitan Police (London, U.K.), and five years in media and copyright protection for a major film copyright trade association.

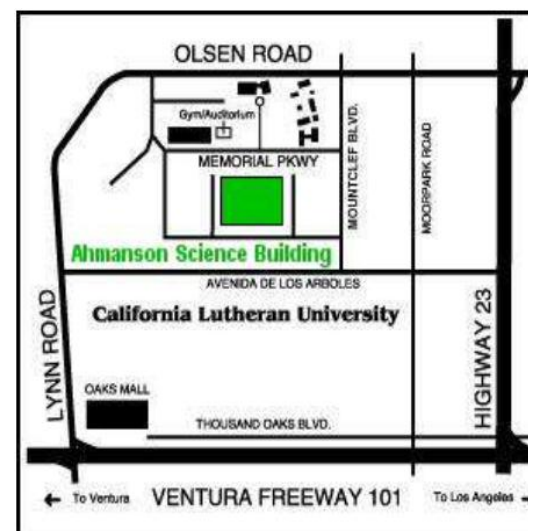


Meeting Site: California Lutheran University
100 Ahmanson Science Building,
60 West Olson Road, Thousand Oaks
Meetings are free, open to the public

Dinner: Available at 6 p.m. for \$10 payable at the door, no RSVP needed.

Parking: In general, visitor Parking is no longer permitted before 7 p.m. on Memorial Parkway and adjacent street. However, CLU Public Safety has provided us with [parking passes](#) to download and use.

Contact: Steve Johnson, sfjohnso@ieee.org
IEEE Engineering in Medicine and Biology Society





IEEE BUENAVENTURA SECTION

Buenaventura Section and Chapter Info

Section Office 2012

<u>Name</u>	<u>E-Mail</u>
Chair	Bridgeman Carney bcarney@ieee-bv.org
Vice-Chair	Albert Wolfkiel awolfkiel@ieee-bv.org
Treasurer	Zak Cohen zcohen@ieee.org
Secretary	Karl Geiger karl@ieee-bv.org
Programs and Events	Ross Kocen events@ieee-bv.org
Awards Chair , Member Development PACE Events Chair	Christian Ziegler awards@ieee-bv.org
Historian	Doug Askegard dougaskegard@ieee.org
Past Chair	Karl Geiger karl@ieee-bv.org
Sr. Representative, LA Council	Bridgeman Carney bcarney@ieee-bv.org
Representative, LA Council	John Wright j.wright@ieee.org
Section Webmaster	Karl Geiger webmaster@ieee-bv.org
Newsletter	Zak Cohen newsletter@ieee-bv.org Karl Geiger Gaurav Mahajan

Chapter

<u>2013 Chair</u>	<u>E-Mail</u>
Aerospace	Momin Quddus mominq7@yahoo.com
Communications	David Pehlke chair@comsoc.ieee-bv.org
Computer	Craig Reinhart reinhart@callutheran.edu
Electron Dev./Circuits and Systems	Sunil Pai chair@edcas.ieee-bv.org
Engineering in Medicine and Biology	Bob Rumer chair@embs.ieee-bv.org
Life Members Affinity Group	Jerry Knotts chair@lmag.ieee-bv.org
Microwave Technology and Techniques	Tom Campbell chair@mtts.ieee-bv.org
Power and Energy	Bridge Carney bcarney@ieee-bv.org
Robotics	Bob Rumer rumer@callutheran.edu

Also be sure to check the Section's websites for the latest updates:

http://www.ieee-bv.org/	Aerospace, ED/CAS, Life Members, Microwave, Power and Energy, Robotics, Section
http://comsoc.ieee-bv.org/	Communications
http://www.ieee-bv-cs.org/	Computer